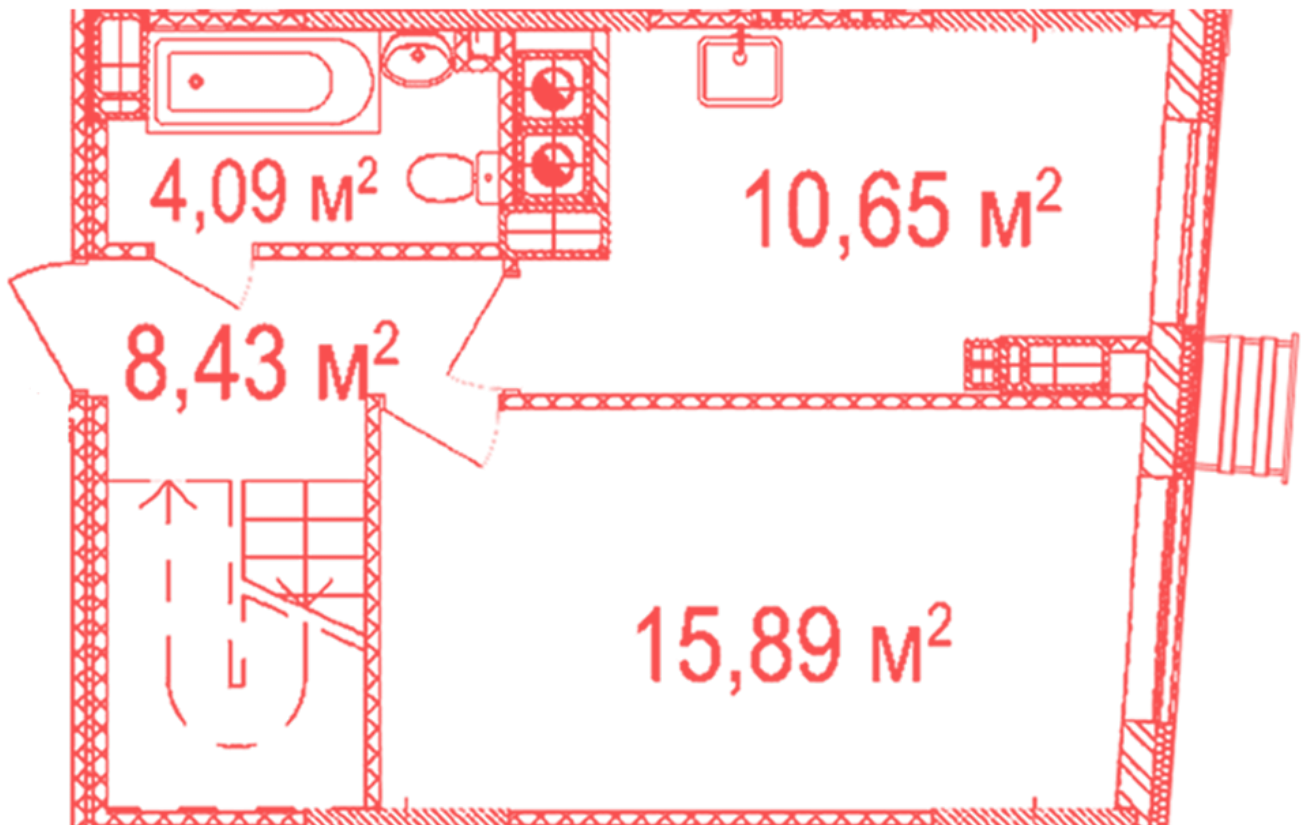


RC "Crystal Avenue"

crystal-avenue.com.ua

096 023 03 10

Plan 1 room apartment in the house on the Oksamytova St., 9-A — #49-1



PLAN TYPE: №49-1

House Oksamytova St., 9-A

1 roomed, 16-17 Floor

Characteristics

Gross area: 78.14 m²

Living space: 15.89 m²

Kitchen area: 10.65 m²